

Perfect assembly

Spring elements only require a locating bore and no additional preloading device because a precise defined maximum force is already available at the start of the stroke.

Advantage: reduced danger of accident.

The shock absorbers and springs are ready for use right after delivery. The fitting position is at choice.

HYDROSTAT

SHOCK ABSORBERS + SPRING ELEMENTS



Self-sealing design

By means of a high internal pressure the seals are stretched in such a way that any escape of the medium can be prevented in an effective manner. This is an extremely decisive advantage, particularly for safety appliances (emergency stops, uncertain application time).

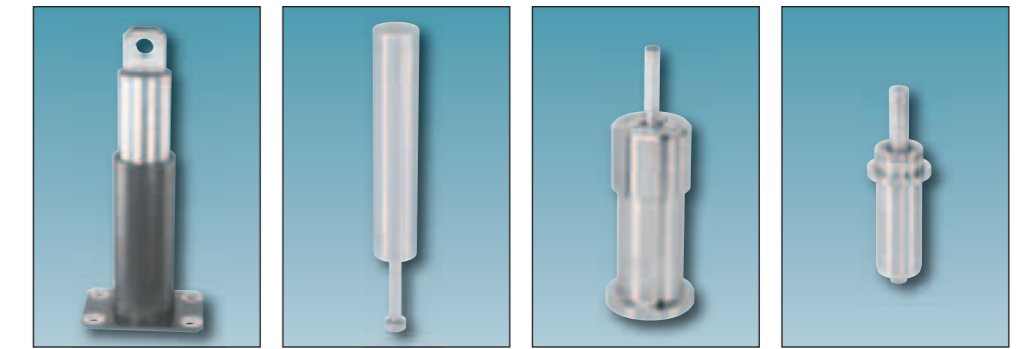
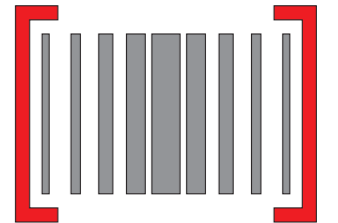
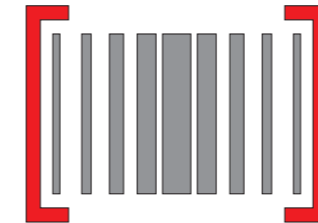
By this way both the escape safety and the availability of the shock absorber can be ensured for many years without any need of maintenance.

Front side of the business premises



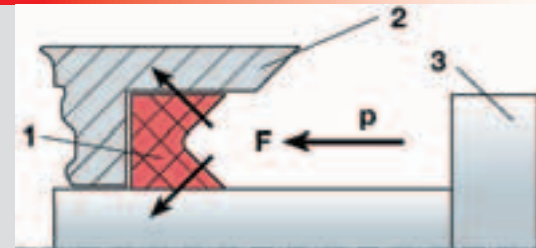
The company's headquarters and the manufacturing location lie in the middle of North Rhine-Westphalia and are optimally linked with all important urban centers.

Proven technology, high quality and professional advice ensure efficient processing of projects and contracts. Today HYDROSTAT counts as one of the leading companies in its line of business.



Hydrostatic Shock Absorbers and Spring Elements

Outstanding characteristics



Self-sealing design

- Tempering steel
- One medium = two functions
- Self-sealing design
- Compact design
- Almost maintenance-free
- Simple mounting
- Economic solution

10288/001-0-D - concept: fh-werbung.de

Safe products made by ...



Hydrostat GmbH
Egenstrasse 10
D-58339 Breckerfeld
Germany



Phone: (0049) 2338 / 87 34 20
Fax: (0049) 2338 / 4 88 59 35
E-Mail: info@hydrostat.de
Web: www.hydrostat.de

HYDROSTAT

SHOCK ABSORBERS + SPRING ELEMENTS

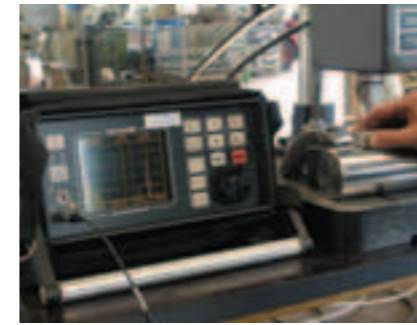
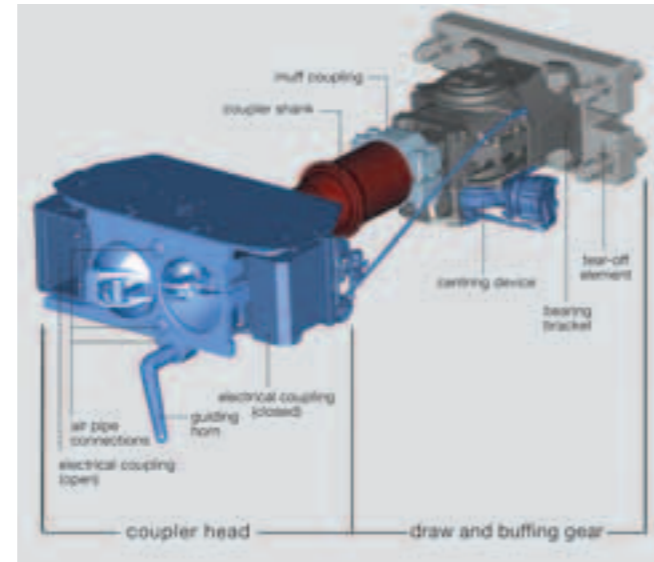
SIMPLE. COMPACT. SAFE.

HYDROSTAT

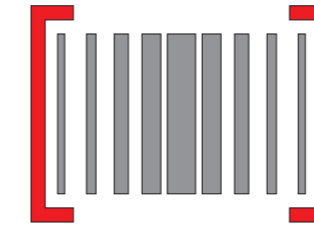
SHOCK ABSORBERS + SPRING ELEMENTS

Innovative products

We are making constant endeavours to achieve a sound ratio between the price and the product quality. We are conscious of the high quality standards that are set for springs and shock absorbers. In order to meet the requirements of our customers amongst the different lines of business, to offer solutions for all kind of problems and to maintain the outstanding quality standard of our products we are in continuous mutual exchange of experience and information with our customers.



Quality assurance
Ultrasonic testing



Vertical processing machine



Horizontal CNC processing machine

State-of-the-art machinery

Our machinery is provided with state-of-the-art and computer controlled equipment. Automated manufacturing processes guarantee minimum downtime. By means of steady improvement and optimisation of the manufacturing processes we are able to ensure a quality-conscious and cost-effective production.

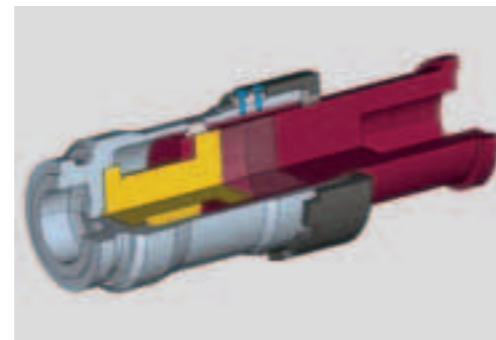
1 2

Medium Functions

No additional devices (pneumatic systems or other mechanical springs and preloading devices) are required for the energy absorption and piston resetting.

Compact design

Compared to other conventional hydraulic shock absorbers, the HYDROSTAT absorber is characterized by its compact design. The HYDROSTAT shock absorber achieves its capacity by means of a remarkably lower dead weight than comparable compression springs of equal stroke and force.



Useful solutions

Our solutions are characterized by individuality, flexibility and practicability. Standard solutions are not our business. We always look for an economic solution in cooperation with our customers thus achieving an optimum result to the customer's satisfaction. Making use of different technologies and materials, practice-oriented thinking and observance of the technical specification, this is what we strive for in order to search for perfection.

Outstanding quality

Our manufacturing processes are continuously monitored and controlled thus ensuring a recognized high quality standard at any time. Measurements and controls are carried out in all stages of production. Upon request measuring and process control records for any product can be provided in order to document statistics.



Front hood
with side buffer

Trained personnel

HYDROSTAT is provided with a committed team of skilled and well-trained employees and specialist who can ensure professional and workmanlike operating sequences. By practising an organisation structure of short ways and firm contacts we are able to realize even difficult and complex projects in an effective manner.

One medium – Two functions

Profit from convincing advantages ...

- Long decades of know-how
- Outstanding product quality
- Almost maintenance-free technology
- Flexible organisation
- Optimal machinery
- Strict observance of delivery dates
- Pretentious customers

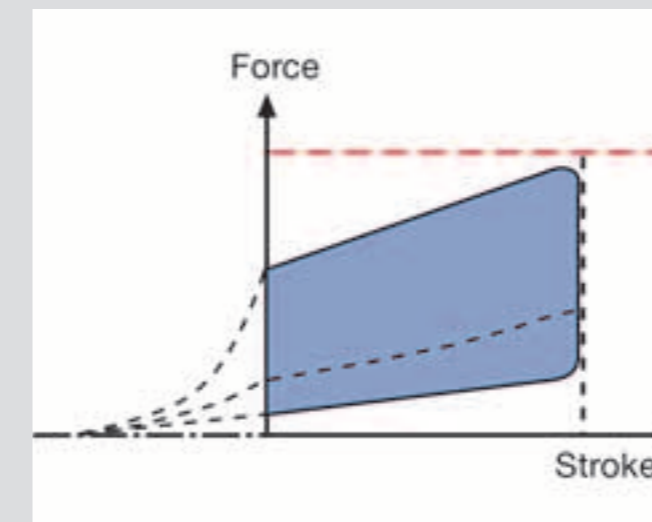


PULSATOR
Life test rig



Dynamic testing
For maximum reliability

Maximum reliability



First choice in many lines of business



Rolling mill application

We are working for customers of the

- Railway vehicle technology
- Rolling mill technology
- Hydraulic industry
- Machine construction
- Building machines
- Hydraulic engineering

HYDROSTAT
SHOCK ABSORBERS + SPRING ELEMENTS

HYDROSTAT
SHOCK ABSORBERS + SPRING ELEMENTS